



DEPARTMENT OF THE ARMY
THE INSTITUTE OF HERALDRY
9325 GUNSTON ROAD, ROOM S112
FORT BELVOIR, VIRGINIA 22060-5579

AAMH-IHS

9 February 2018

MEMORANDUM FOR Commander, Headquarters, 1st Security Force Assistance Brigade, ATTN: MAJ Justin M. McGovern, Fort Benning, GA 31905-5000

SUBJECT: Beret Flash for the 1st Security Force Assistance Brigade

1. The request for a beret flash for the 1st Security Force Assistance Brigade (SFAB) is approved effective 1 August 2017.
2. Enclosed for use in procurement are:
 - a. Manufacturing drawings (TIOH Dwg. No. A-4-315) (Encls 1).
 - b. Color print and black and white line drawing (Encls 2).
 - c. A list of certified manufacturers and procedures for local procurement of insignia (Encls 3 & 4).
3. This authorization is in accordance with AR 670-1 and Headquarters, U.S. Army Forces Command, Permanent Order 213-10, dated 1 August 2017. A copy of this letter will become part of your permanent organizational history files.
4. Your point of contact for this action is Mr. Garrison at keith.a.garrison6.civ@mail.mil or (703) 806-4972.

Encls

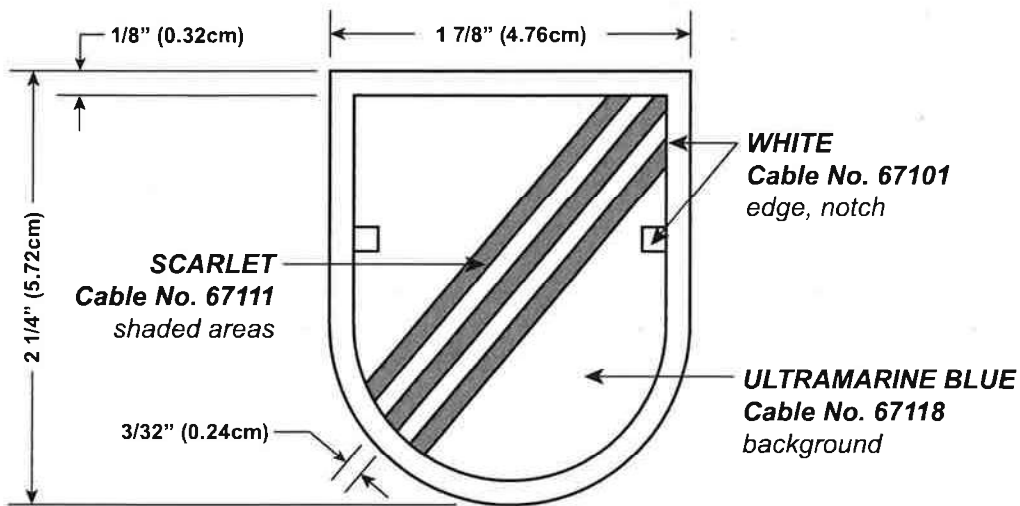
CF:
The Center of Military History

MUGNO.CHARLE S.V.1020723374
Digitally signed by
MUGNO.CHARLES.V.102072337
4
Date: 2018.02.09 15:04:50 -05'00'

CHARLES V. MUGNO
Director

REVISIONS

LTR	DESCRIPTION	DATE	APPROVED
-----	-------------	------	----------



DESIGNED FOR OVEREDGE STITCHING

UNLESS OTHERWISE SPECIFIED DIMENSIONS ARE IN INCHES TOLERANCES ON FRACTIONS DECIMALS ANGLES

THE INSTITUTE OF HERALDRY, DEPARTMENT OF THE ARMY
9325 GUNSTON RD, RM S-113 FORT BELVOIR, VA 22060-5579

EXAMINED	<i>TC</i>	
CHECKED	<i>CA</i>	<i>500</i>
PREPARED	AWW	

BERET FLASH
1ST SECURITY FORCE ASSISTANCE BRIGADE

MATERIALS:
TO BE MANUFACTURED IN ACCORDANCE WITH MIL-DTL-14652

APPROVED
MUGNO.CHARLES.V.1020723374
Digitally signed by MUGNO.CHARLES.V.1020723374 Date: 2018.02.09 15:05:33 -05'00'
CHARLES V. MUGNO
DIRECTOR

SIZE	CONTROL IDENT. NO	A-4-315
B	22571	
SCALE	FULL	DATE
		31 OCTOBER 2017

D

D

C

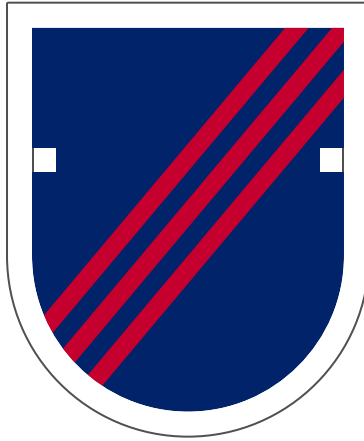
C

B

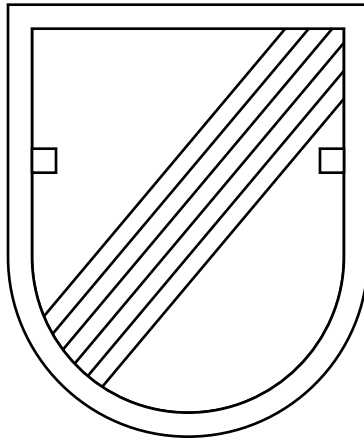
B

A

A



COLOR



LINE

**BERET FLASH
FIRST SECURITY FORCE ASSISTANCE BRIGADE**